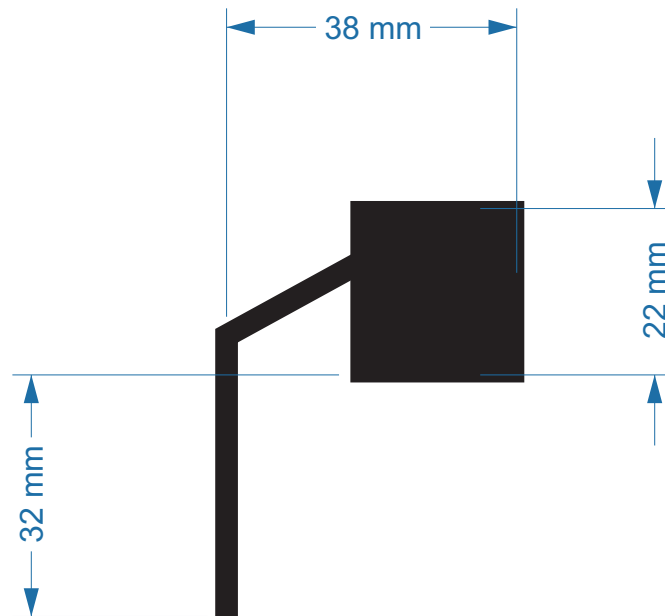


RACKNYLON - sits 20mm above the top of the pinion gear.



RACKSTEEL - sits 15mm above the top of the pinion gear.