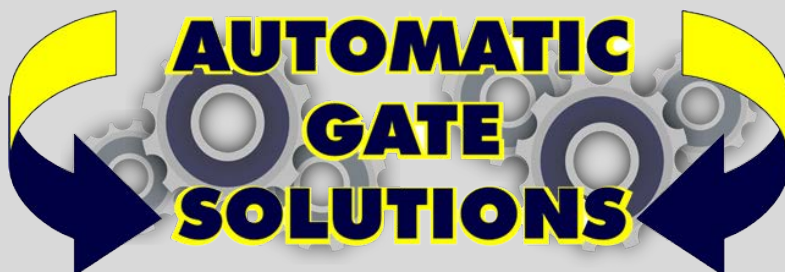


CELLCOM *lite*



Simple, Effective GSM Intercom

- Calls your home phone and mobiles on roll-over when visitor presses call button. —
Never miss a visitor with mobile calling.
- Works with any standard contract or Pre-Pay GSM Nano SIM card.
- **NEW free** AES Lite app for installer programming.
- Homeowner can use app to trigger gates.





CELLCOM *lite*

Ultra stylish all black panel with textured powder coated aluminium hood and gloss black acrylic facia trim over a tough metal back plate. Complete with modern **blue** illuminated buttons.

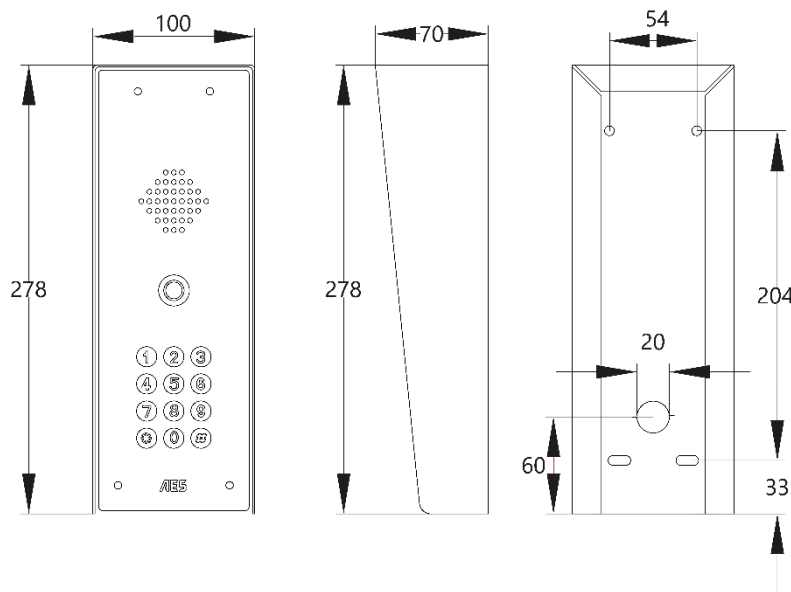


Puck Antenna as standard.

Technical Details

Dial Out Numbers	3	Relays	1
Permanent Codes	25	Relay Type	N/C and N/O
Permanent Caller ID Numbers	25	Relay Load	2 amps, 24v ac max
Power Consumption	100mA on dial out, 220mA peak demand	Modem Models	4G Europe, 4G USA, 4G AUS/NZ
Power Supply	24v dc (24v 2A dc adaptor included)		

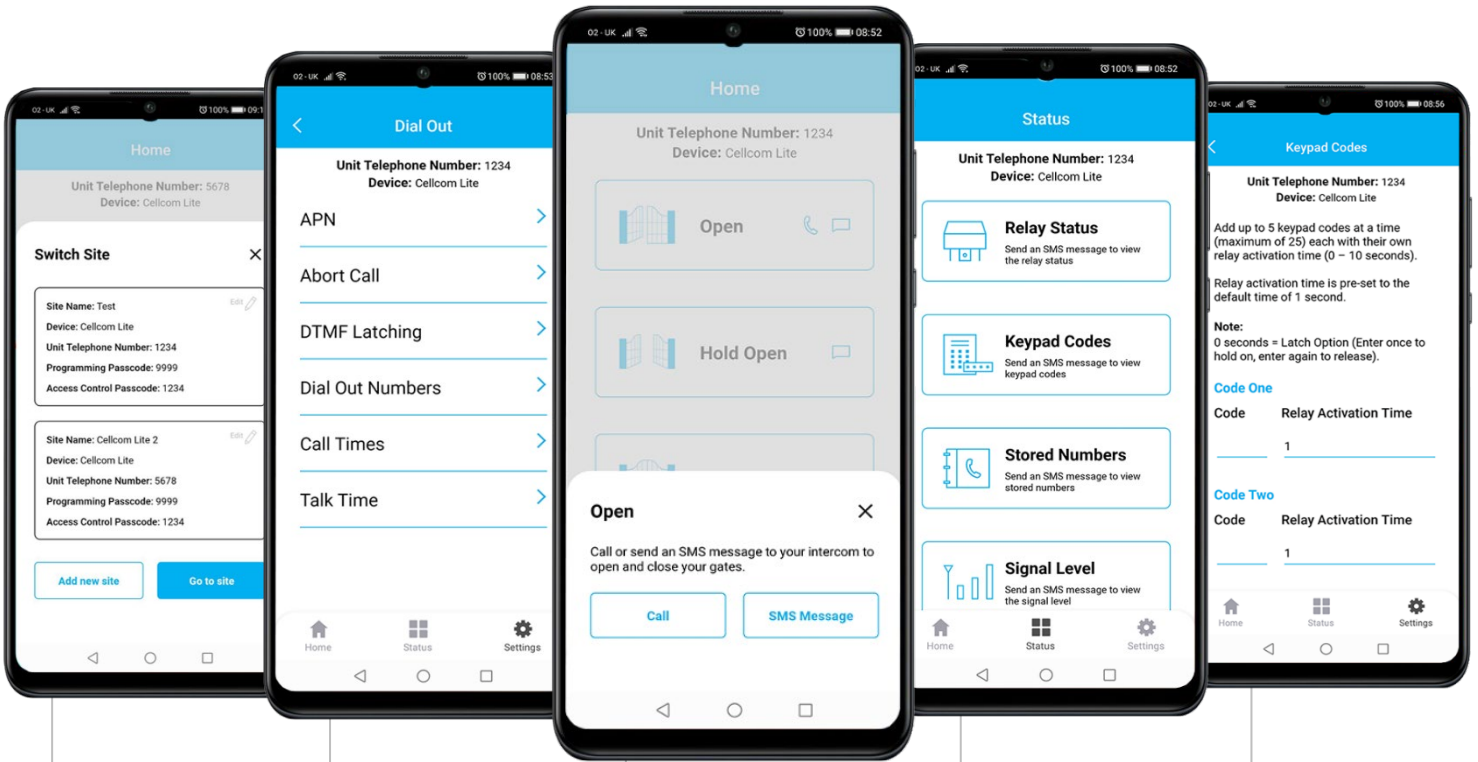
Panel Dimensions





NEW APP

Installer / User App



Switch site function for programming and navigating multiple sites.



Program dial out numbers and other related features.



Speed dial or send SMS to control gates.



Check stored information and current status of intercom.



Program multiple keypad codes in one SMS.

User friendly new app. To help homeowners control their GSM intercom and gates/doors. Simple mobile access!

